



Trigonometric Ratios

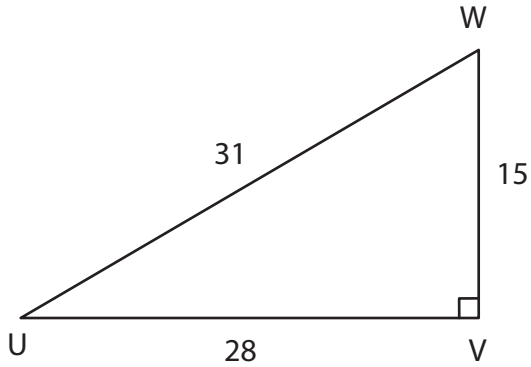
Name _____

Score _____

QR:II:08

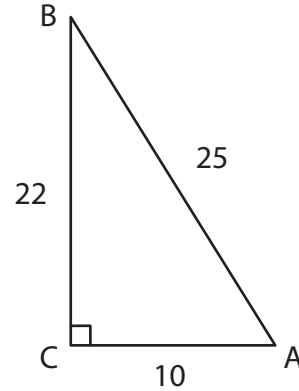
Find the trigonometric ratios. Round the answer to three decimal places.

1)



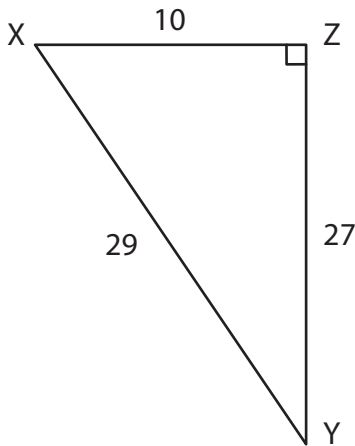
$\tan W =$

2)



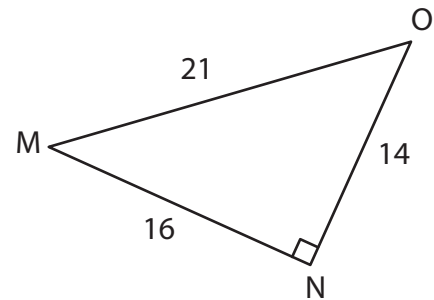
$\sin B =$

3)



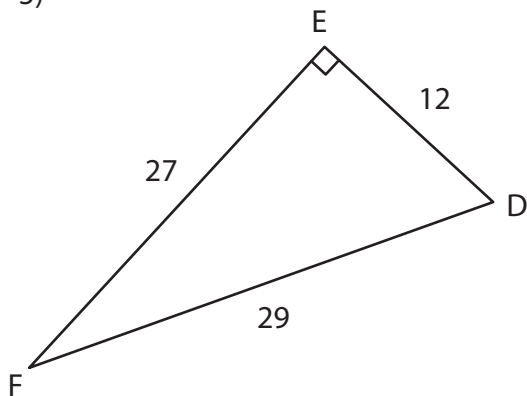
$\cot X =$

4)



$\cos O =$

5)



$\sin D =$ _____

$\operatorname{cosec} F =$ _____

$\cos D =$ _____

$\sec F =$ _____

$\tan F =$ _____

$\cot D =$ _____



Trigonometric Ratios

Name _____

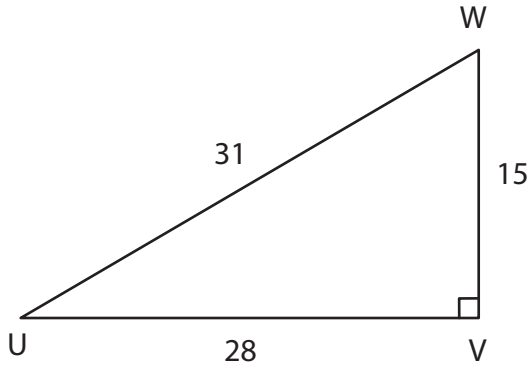
Score _____

Answer key

QR:II:08

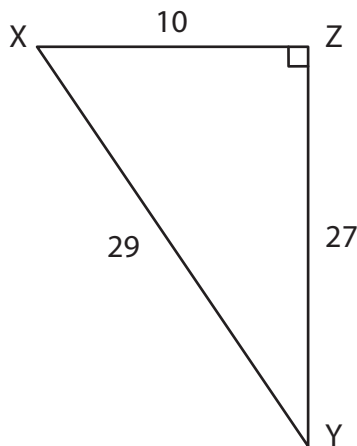
Find the trigonometric ratios. Round the answer to three decimal places.

1)



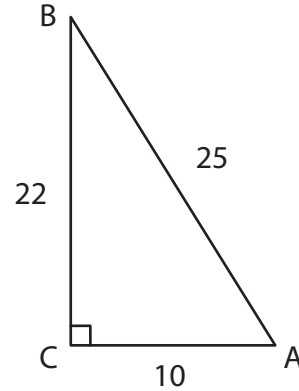
$$\tan W = 1.867$$

3)



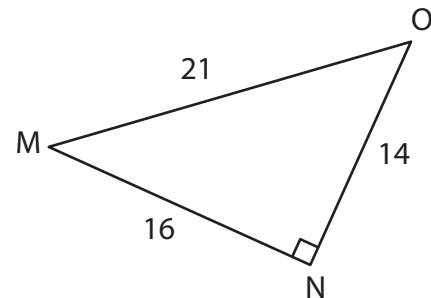
$$\cot X = 0.37$$

2)



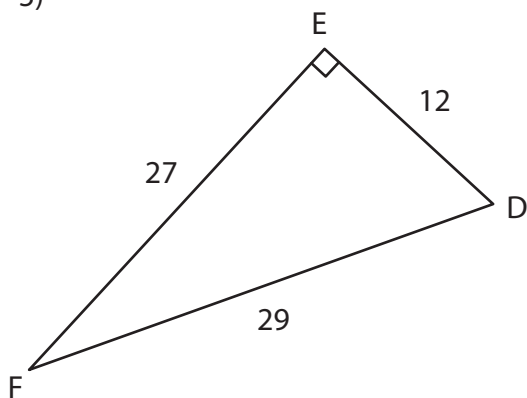
$$\sin B = 0.4$$

4)



$$\cos O = 0.667$$

5)



$$\sin D = 0.931$$

$$\operatorname{cosec} F = 2.417$$

$$\cos D = 0.889$$

$$\sec F = 0.414$$

$$\tan F = 0.444$$

$$\cot D = 0.444$$