



Trigonometric Ratios

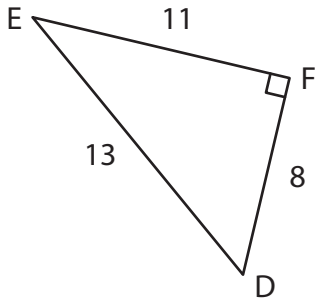
Name _____

Score _____

QR:II:08

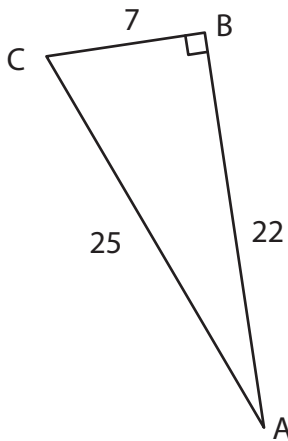
Find the trigonometric ratios. Round the answer to three decimal places.

1)



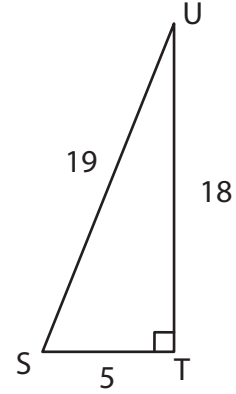
$\sec D =$

3)



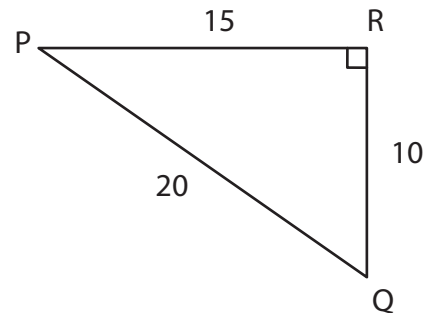
$\cos C =$

2)



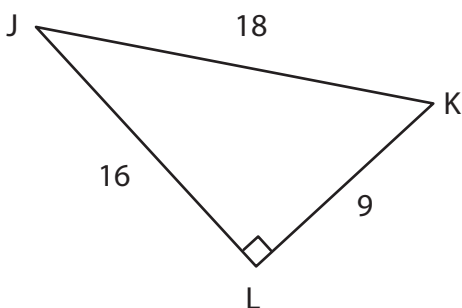
$\tan U =$

4)



$\sin P =$

5)



$\sin J =$ _____

$\operatorname{cosec} J =$ _____

$\cos J =$ _____

$\sec J =$ _____

$\tan J =$ _____

$\cot J =$ _____



Trigonometric Ratios

Name _____

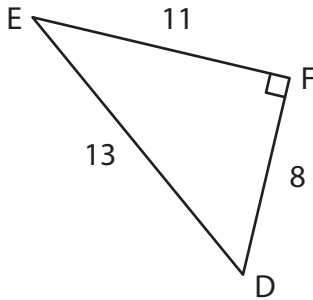
Score _____

Answer key

QR:II:08

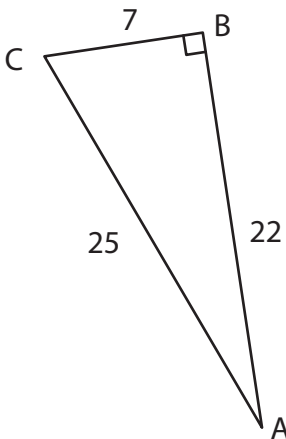
Find the trigonometric ratios. Round the answer to three decimal places.

1)



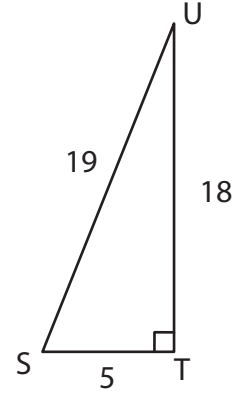
$$\sec D = \mathbf{1.625}$$

3)



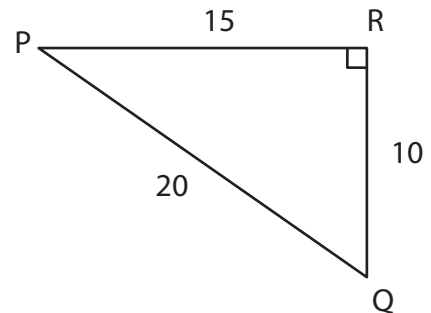
$$\cos C = \mathbf{0.28}$$

2)



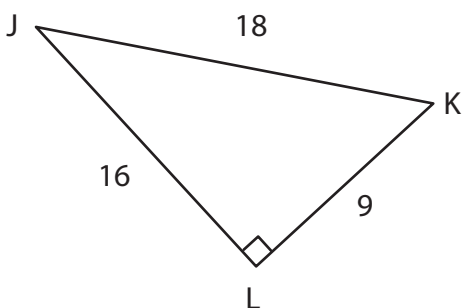
$$\tan U = \mathbf{0.278}$$

4)



$$\sin P = \mathbf{0.5}$$

5)



$$\sin J = \mathbf{0.5}$$

$$\operatorname{cosec} J = \mathbf{2}$$

$$\cos J = \mathbf{0.889}$$

$$\sec J = \mathbf{1.125}$$

$$\tan J = \mathbf{0.563}$$

$$\cot J = \mathbf{1.778}$$