



# Trigonometric Ratios

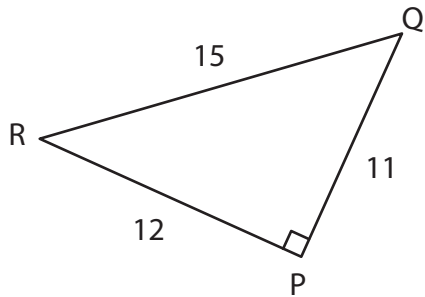
Name \_\_\_\_\_

Score \_\_\_\_\_

QR:II:07

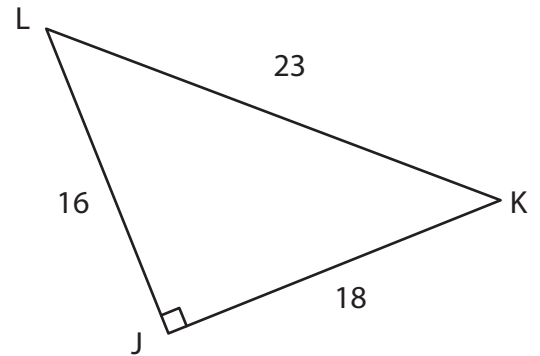
Find the trigonometric ratio. Round the answer to three decimal places.

1)



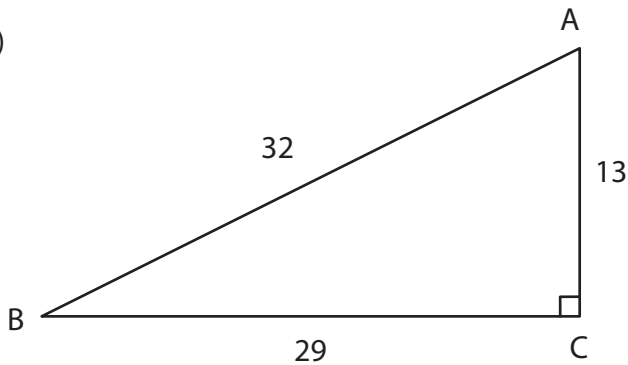
$\cos Q =$

2)



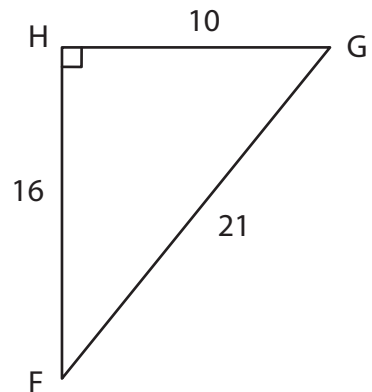
$\operatorname{cosec} L =$

3)



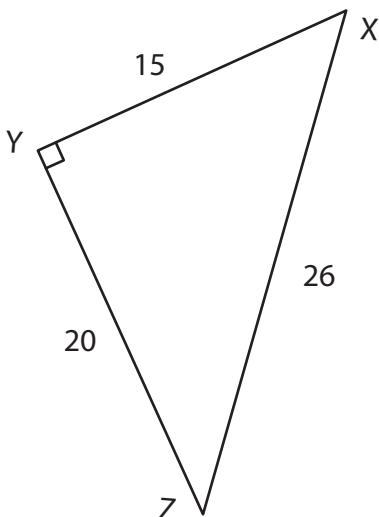
$\sin A =$

4)



$\tan G =$

5)



$\sin Z =$  \_\_\_\_\_

$\operatorname{cosec} X =$  \_\_\_\_\_

$\cos Z =$  \_\_\_\_\_

$\sec X =$  \_\_\_\_\_

$\tan Z =$  \_\_\_\_\_

$\cot X =$  \_\_\_\_\_



# Trigonometric Ratios

Name \_\_\_\_\_

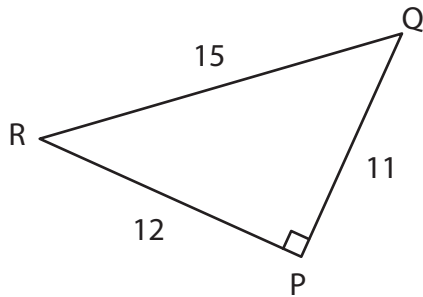
Score \_\_\_\_\_

## Answer key

QR:II:07

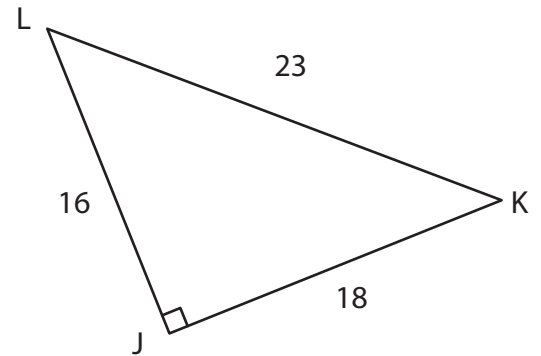
Find the trigonometric ratio. Round the answer to three decimal places.

1)



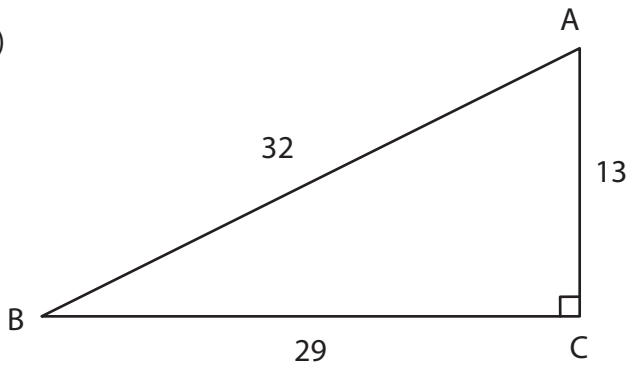
$$\cos Q = \mathbf{0.733}$$

2)



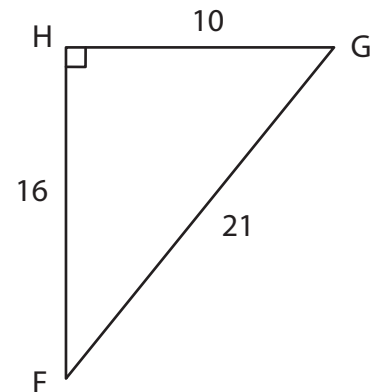
$$\operatorname{cosec} L = \mathbf{1.278}$$

3)



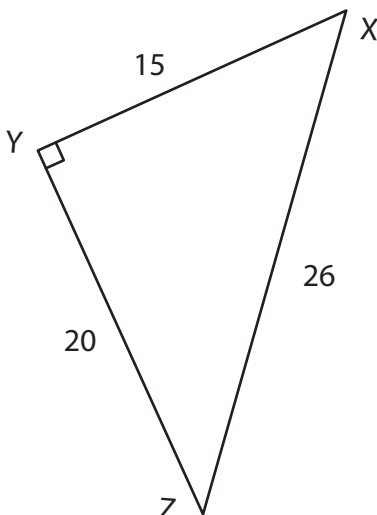
$$\sin A = \mathbf{0.906}$$

4)



$$\tan G = \mathbf{1.6}$$

5)



$$\sin Z = \mathbf{0.577}$$

$$\operatorname{cosec} X = \mathbf{1.3}$$

$$\cos Z = \mathbf{0.769}$$

$$\sec X = \mathbf{1.733}$$

$$\tan Z = \mathbf{0.75}$$

$$\cot X = \mathbf{0.75}$$