



Trigonometric Ratios

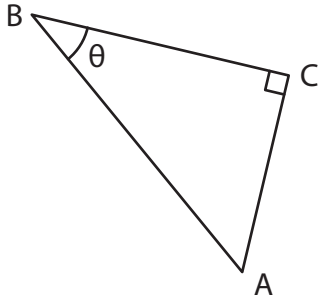
Name _____

Score _____

QR:II:06

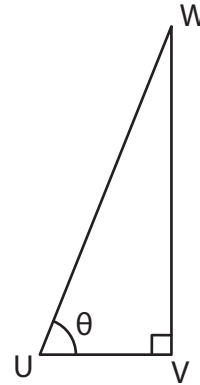
Find the trigonometric ratios using segments.

1)



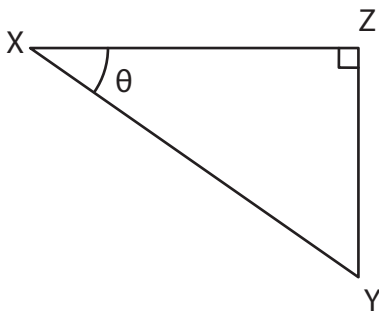
$\cot \theta =$

2)



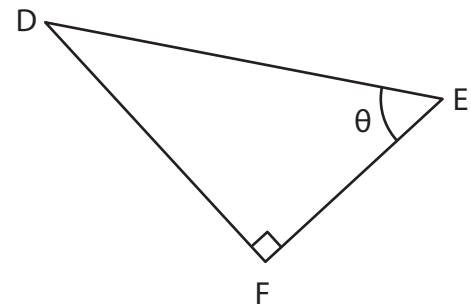
$\cos \theta =$

3)



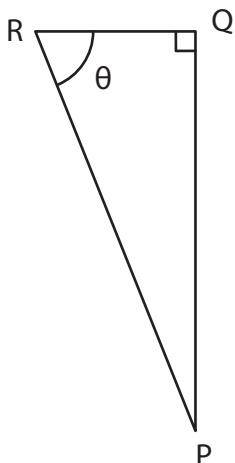
$\tan \theta =$

4)



$\sin \theta =$

5)



$\sin \theta =$

$\operatorname{cosec} \theta =$

$\cos \theta =$

$\cos \theta =$

$\tan \theta =$

$\cot \theta =$



Trigonometric Ratios

Name _____

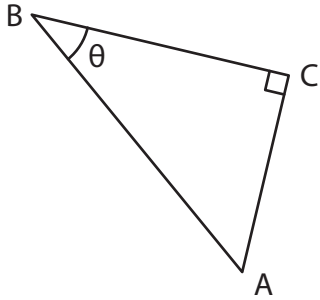
Score _____

Answer key

QR:II:06

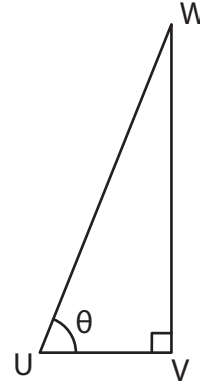
Find the trigonometric ratios using segments.

1)



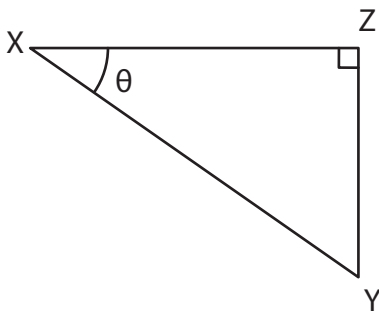
$$\cot \theta = \frac{BC}{AC}$$

2)



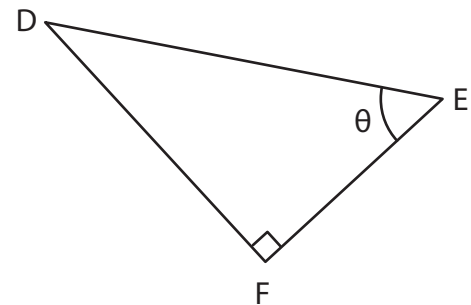
$$\cos \theta = \frac{UV}{UW}$$

3)



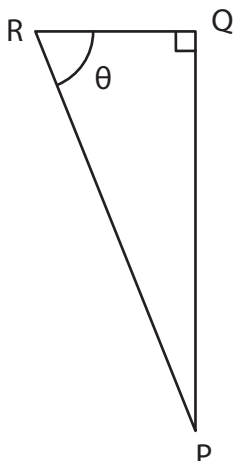
$$\tan \theta = \frac{YZ}{XZ}$$

4)



$$\sin \theta = \frac{DF}{DE}$$

5)



$$\sin \theta = \frac{PQ}{PR}$$

$$\operatorname{cosec} \theta = \frac{PR}{PQ}$$

$$\cos \theta = \frac{QR}{PR}$$

$$\cos \theta = \frac{PR}{QR}$$

$$\tan \theta = \frac{PQ}{QR}$$

$$\cot \theta = \frac{QR}{PQ}$$