



# Domain and Range

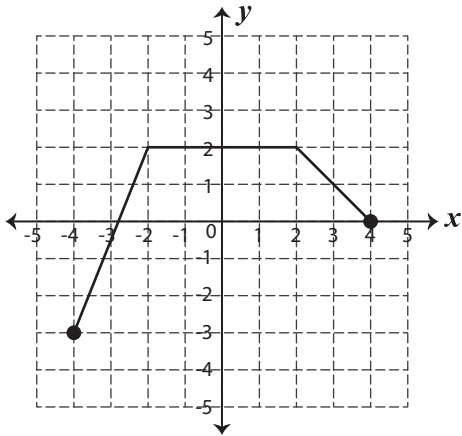
Name \_\_\_\_\_

Score \_\_\_\_\_

DR:II:09

Find the domain and range of each graph.

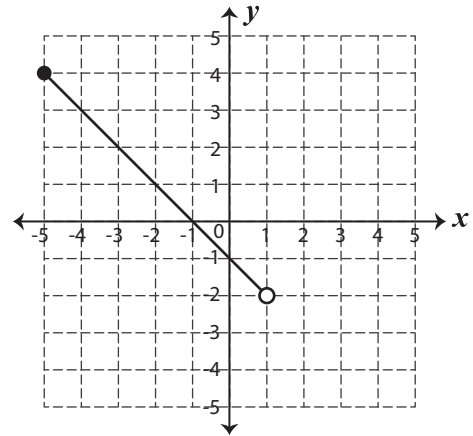
1)



Domain = \_\_\_\_\_

Range = \_\_\_\_\_

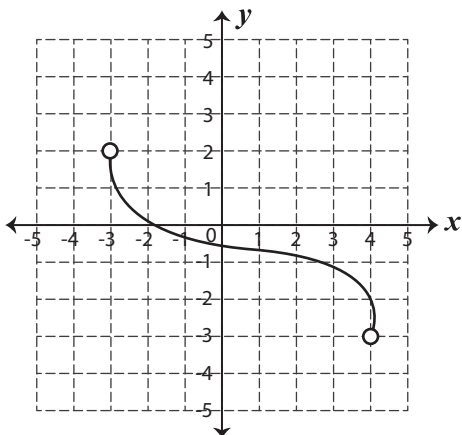
2)



Domain = \_\_\_\_\_

Range = \_\_\_\_\_

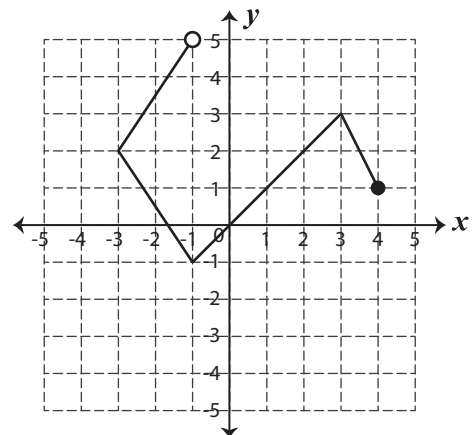
3)



Domain = \_\_\_\_\_

Range = \_\_\_\_\_

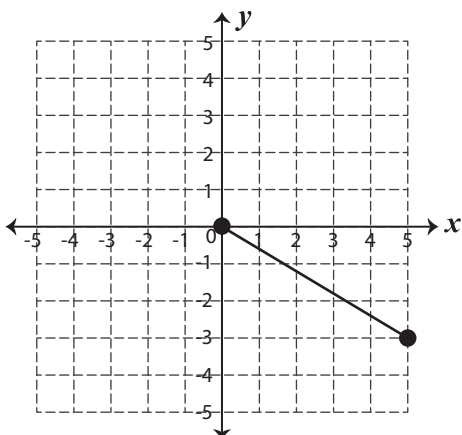
4)



Domain = \_\_\_\_\_

Range = \_\_\_\_\_

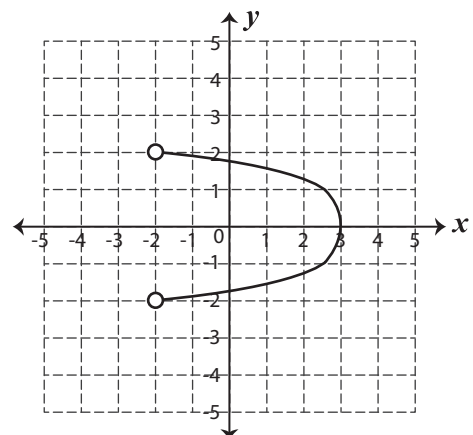
5)



Domain = \_\_\_\_\_

Range = \_\_\_\_\_

6)



Domain = \_\_\_\_\_

Range = \_\_\_\_\_



# Domain and Range

Name \_\_\_\_\_

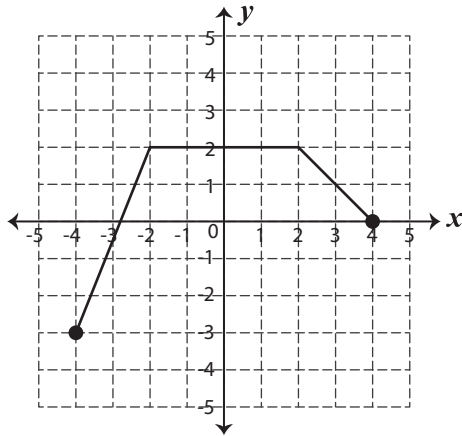
Score \_\_\_\_\_

## Answer key

DR:II:09

Find the domain and range of each graph.

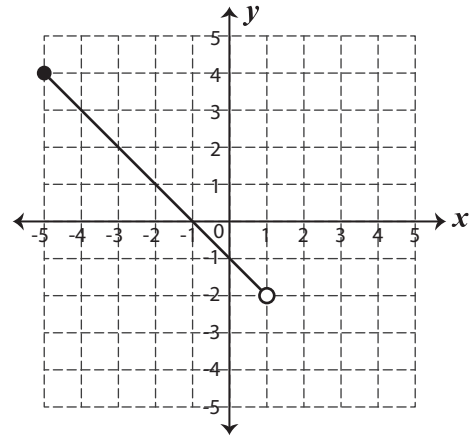
1)



Domain =                    **[-4, 4]**

Range =                    **[-3, 2]**

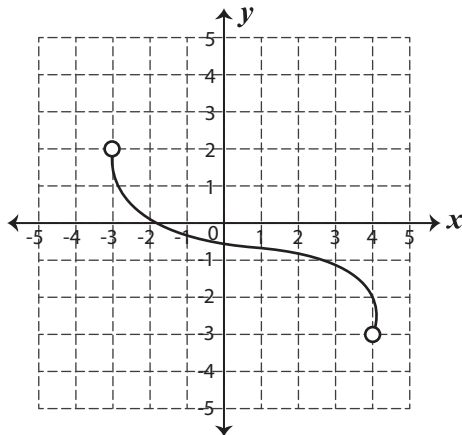
2)



Domain =                    **[-5, 1]**

Range =                    **(-2, 4]**

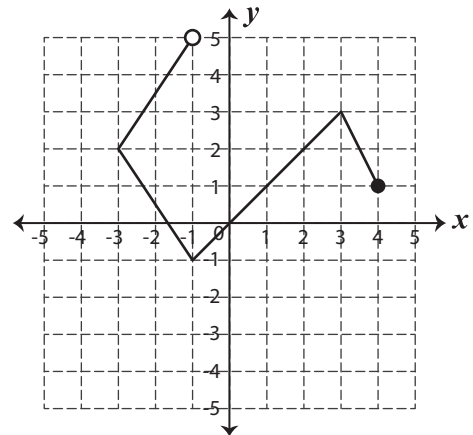
3)



Domain =                    **(-3, 4)**

Range =                    **(-3, 2)**

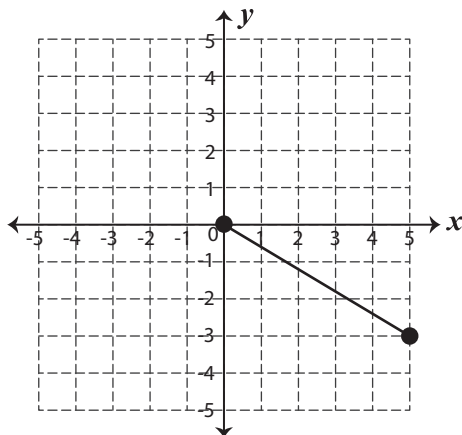
4)



Domain =                    **[-3, 4]**

Range =                    **[-1, 5]**

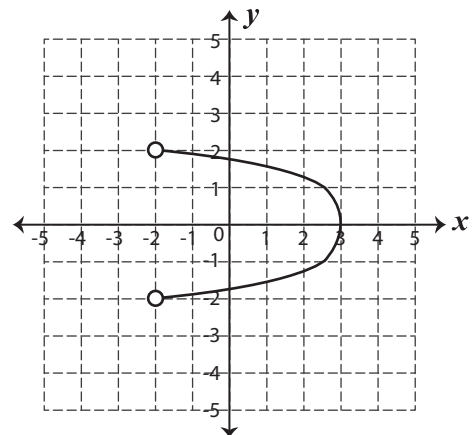
5)



Domain =                    **[0, 5]**

Range =                    **[-3, 0]**

6)



Domain =                    **(-2, 3]**

Range =                    **(-2, 2)**